

## TECHNICAL INFORMATION

# ACRYLITE® Soundstop Masonry Wall System (CMU)

Reduce noise while maintaining views



ACRYLITE® Soundstop Masonry Wall System in Laguna Hills, CA, extends the visual environment – in contrast with solid wall (photo-rendering)

### Product

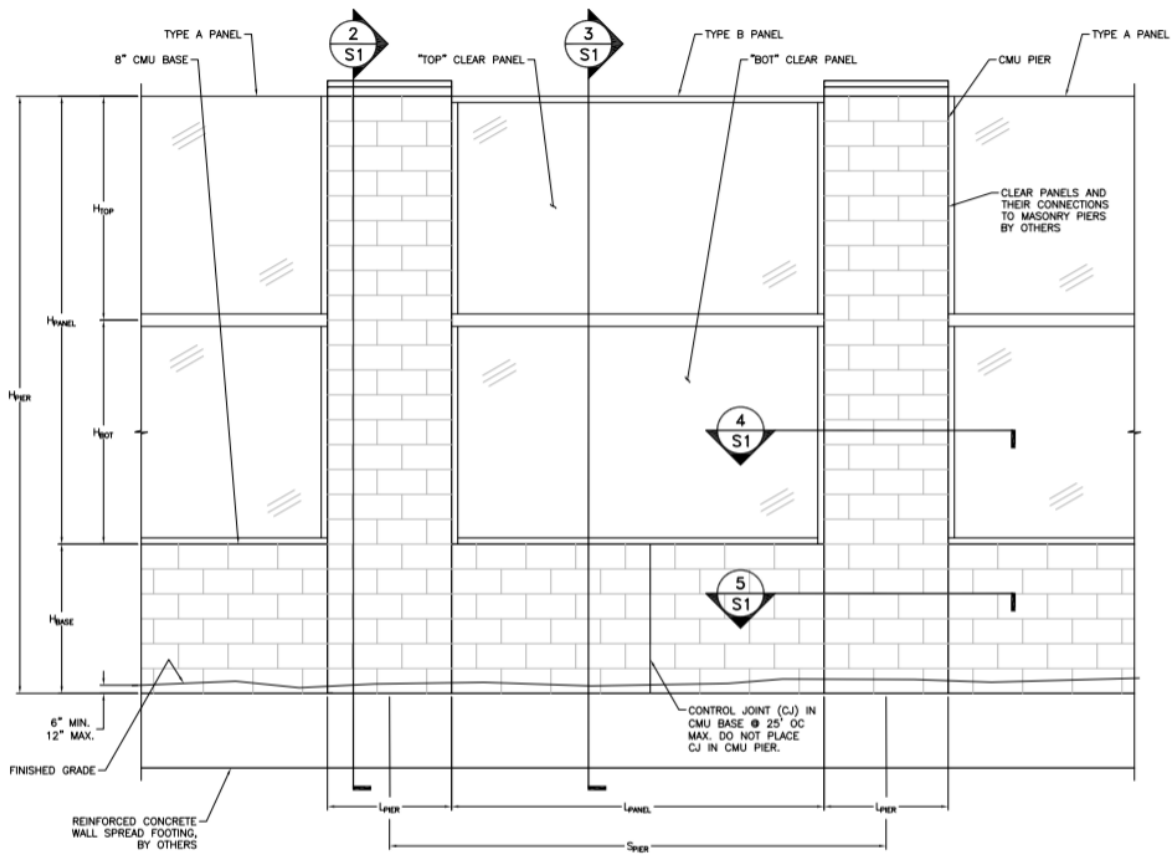
The ACRYLITE® Soundstop Masonry Wall System (CMU – concrete masonry unit) is a turnkey installation package for use with standard masonry block noise barriers. The system includes ACRYLITE® Soundstop transparent noise barrier sheet, gasket, clamping angles, fasteners, and installation instructions. It is an ideal, low cost solution for noise abatement that preserves the view.

### Features & Benefits

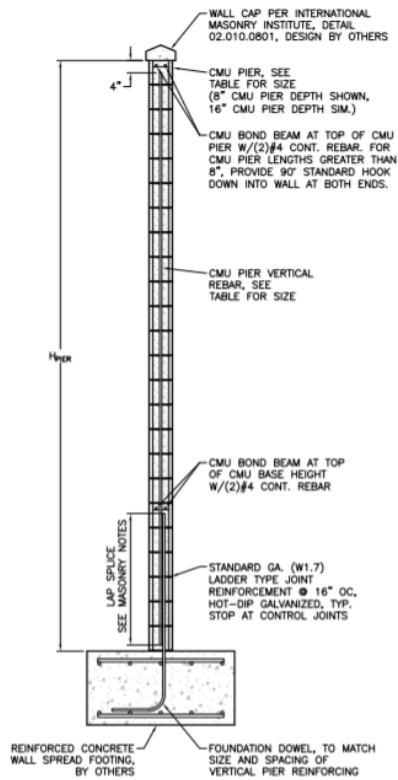
- Excellent sound insulation properties
- Available as an easy to install package
- Works with standard precast concrete wall (CMU) blocks
- No cleaning required, common roadway dirt and salts are rinsed away by rain.
- Extremely resistant to weathering; industry leading 30- year warranty against yellowing
- One lightweight panel can replace as many as 100 concrete blocks



ACRYLITE® Soundstop Masonry Wall Type IA panel in Chula Vista, CA

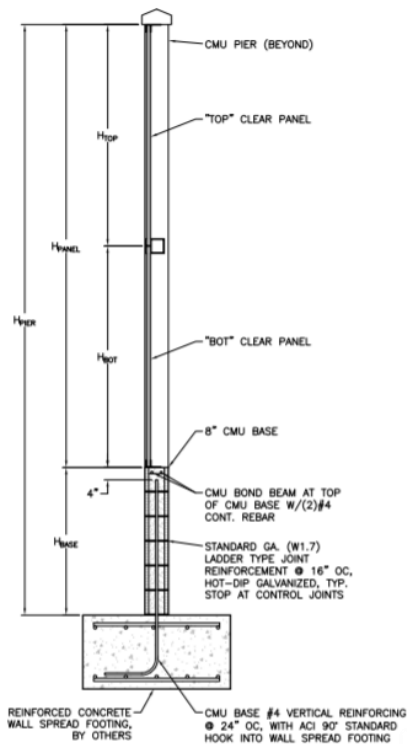


**1** BACK ELEVATION  
NOT TO SCALE



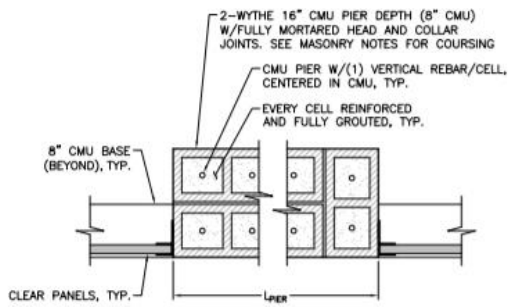
1--WYTHE, 8" CMU PIER DEPTH SHOWN  
2--WYTHE, 16" CMU PIER DEPTH, SIM.)

**2** WALL SECTION  
NOT TO SCALE



1--WYTHE, 8" CMU PIER DEPTH SHOWN  
2--WYTHE, 16" CMU PIER DEPTH, SIM.)

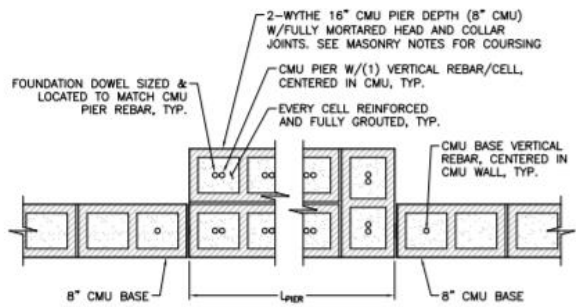
**3** WALL SECTION  
NOT TO SCALE



2-WYTHE, 16" CMU PIER DEPTH

**4** SECTION

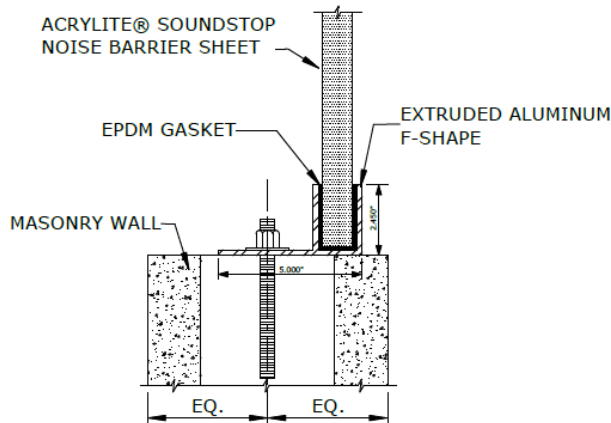
NOT TO SCALE



2-WYTHE, 16" CMU PIER DEPTH

**5** SECTION

NOT TO SCALE



ACRYLITE® Soundstop Masonry Wall – Side View



ACRYLITE® Soundstop Masonry Wall Type IB panel in Laguna Hills, CA

## NOISE BARRIER PANEL DIMENSIONS

Based on AASHTO LRFD Bridge Design, 8<sup>th</sup> Edition 2017

Strength III = 31.6 psf / Service I = 12.8 psf

Panel Length	Panel Type*	Total Panel Height	Individual Panel Heights		Clear Panel Thickness**		
			H <sub>BOTTOM</sub>	H <sub>TOP</sub>	TYPE B BOTTOM	TYPE B TOP	TYPE A TOP
80"	I	40"	-	40"	-	15 mm	15 mm
	I	60"	-	60"	-	15 mm	15 mm
	I	80"	-	80"	-	15 mm	15 mm
	I	100"	-	100"	-	15 mm	15 mm
	I	120"	-	120"	-	15 mm	15 mm
	I	144"	-	144"	-	15 mm	15 mm
96"	I	40"	-	40"	-	15 mm	15 mm
	I	60"	-	60"	-	15 mm	15 mm
	I	80"	-	80"	-	15 mm	15 mm
	II	100"	60"	40"	15 mm	15 mm	15 mm
	II	120"	60"	60"	15 mm	15 mm	15 mm
	II	144"	80"	64"	15 mm	15 mm	15 mm
120"	I	40"	-	40"	-	15 mm	15 mm
	I	60"	-	60"	-	15 mm	15 mm
	I	80"	-	80"	-	15 mm	20 mm
	II	100"	60"	40"	15 mm	15 mm	15 mm
	II	120"	60"	60"	15 mm	15 mm	15 mm
	II	144"	80"	64"	15 mm	15 mm	15 mm
160"	I	40"	-	40"	-	15 mm	15 mm
	I	60"	-	60"	-	15 mm	20 mm
	I	80"	-	80"	-	15 mm	25 mm
	II	80"	40"	40"	15 mm	15 mm	15 mm
	II	100"	60"	40"	15 mm	15 mm	15 mm
	II	120"	60"	60"	15 mm	15 mm	20 mm
	II	144"	80"	64"	15 mm	15 mm	20 mm
200"	I	40"	-	40"	-	15 mm	15 mm
	I	60"	-	60"	-	15 mm	25 mm
	I	80"	-	80"	-	15 mm	NA
	II	100"	60"	40"	15 mm	15 mm	15 mm
	II	120"	60"	60"	15 mm	15 mm	25 mm
	II	144"	80"	64"	15 mm	15 mm	25 mm

\* TYPE I/II = Number of stacked panels; TYPE 1: Single Panel / TYPE II: Double Panel

\*\* TYPE A/B = Frame at top of barrier; TYPE A: Open Frame / TYPE B: Closed Frame

Type IA panel is a single panel, without a horizontal mullion or top chord. When both length and height of transparent area are >8 ft, a horizontal support (Type II panel) is required. A Type IIA panel has no top chord, while a Type IIB panel has a top chord. The previous page shows elevation views of Type IIA and IIB panels, and this page has the table of the available dimensions.

Visit [acrylite.co](http://acrylite.co) for additional information about the ACRYLITE® Soundstop Masonry Wall System.

This information and all further technical advice is based on our present knowledge and experience. However, it implies no liability or other legal responsibility on our part, including with regard to existing third party intellectual property rights, especially patent rights. In particular, no warranty, whether expressed or implied, or guarantee of product properties in the legal sense is intended or implied. We reserve the right to make any changes according to technical progress or further developments. The customer is not released from the obligation to conduct careful inspection and testing of incoming goods. Performance of the product described herein should be verified by testing, which should be carried out only by qualified experts in the sole responsibility of a customer. Reference to trade names used by other companies is neither a recommendation, nor does it imply that similar products should be used.

Röhm is a worldwide manufacturer of PMMA products sold under the ACRYLITE® trademark in the Americas and under the PLEXIGLAS® trademark in the European, Asian, African, and Australian continents. ©Roehm America, LLC. All rights reserved.

Printed in the USA.

Roehm America, LLC  
1796 Main Street, Sanford, ME 04037 US  
Phone +1 855 202 7467  
[www.acrylite.co](http://www.acrylite.co)