

TECHNICAL INFORMATION

ACRYLITE® Soundstop Ready Fit System

Transparent Noise Barriers

Product

ACRYLITE® Soundstop Ready Fit Panels are fully fabricated frame-and-panel assemblies, adaptable to any ground-mounted noise barrier system. They are used to mitigate noise along roadways, rail lines, walkways, and for industrial applications. Ready Fit Panels are easily installed with steel or concrete posts and combine seamlessly with precast concrete, absorptive, or other panel types to form an attractive and effective noise barrier. Individual panels are available in virtually any size up to 20' wide x 8' high panels. Aluminum or Steel Ready Fit frames may be stacked to achieve greater heights. The example below shows two Ready Fit Panels stacked on top of a 4 ft base panel.



ACRYLITE® Soundstop Ready Fit System
on I-75 in Dayton, OH

Possible Installation Locations

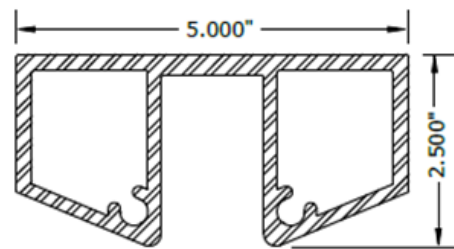
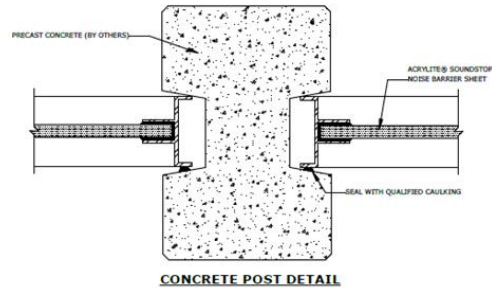
- Highway noise barrier
- Alongside railways or walkways
- As a full noise wall or a complement to open up "windows" in a standard opaque noise wall

Benefits

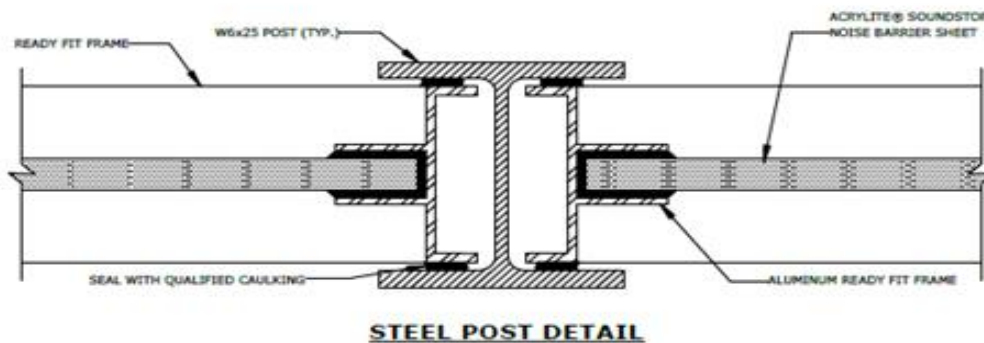
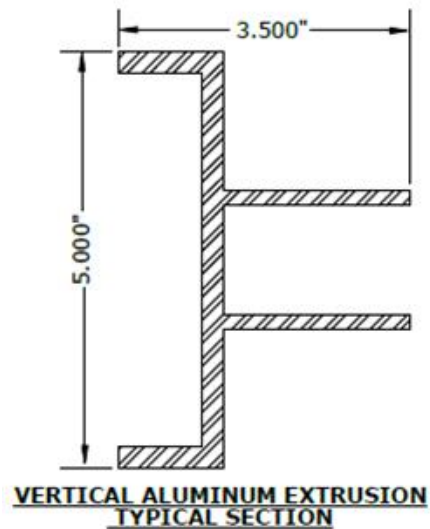
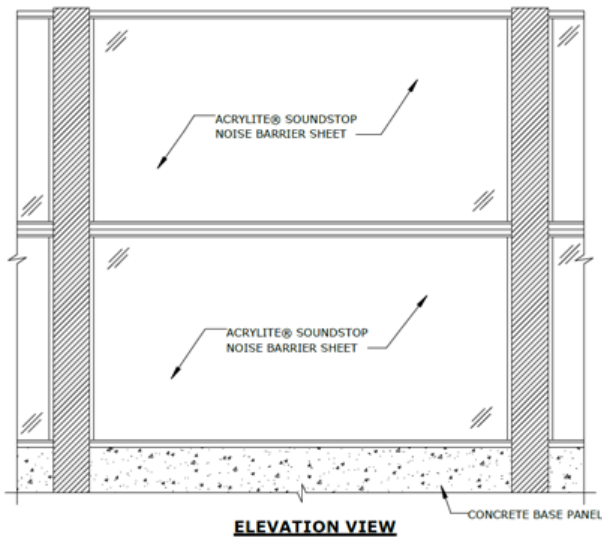
- **Visibility** – Retains sightlines for businesses, historically significant areas, or simply to prevent lost views of the surrounding environment including bodies of water, mountains, and other scenic vistas.
- **Effective** – Excellent noise abating properties with an STC rating of 32dB or higher.
- **Modular** – May be combined with other noise barrier panels to produce combinations of partially transparent and partially solid walls and are completely stackable.
- **Daylighting** – Allows natural light onto roadways and into backyards.
- **Guaranteed Performance** – Industry leading 30-year warranty against yellowing through decades of exposure to outdoor elements.
- **Weatherability** – Proven resistance to outdoor weathering due to UV sunlight.
- **High Impact Strength** – Withstands the impact of stones and other debris from vehicle traffic, plowing operations, and hurricane force winds.
- **No Cleaning Required** – Rain rinses away common road dirt, sand, and de-icing agents.
- **Easy to Install** – Compatible with commonly approved steel and concrete post systems; drop in installation takes only minutes.
- **Easy to Maintain** – Graffiti is quickly removed with approved, environmentally safe products. Unaffected by common glass etching acids.
- **Design Flexibility** – Many types of ACRYLITE® Soundstop panels can be used, including colorless, transparent colors, translucent, frosted, or panels with Bird Protection stripes.

Product Offering

- Available in almost any size, ACRYLITE® Soundstop Ready Fit Panels are engineered to meet the most stringent AASHTO and State specific requirements.
- ACRYLITE® Soundstop Ready Fit Panels have been approved in over 20 US States and Canadian Provinces.
- ACRYLITE® Soundstop Ready Fit Panels may be used with all ACRYLITE® Soundstop products, including XT, XT with Bird Guard, GS, or fragment retaining GS CC sheet.
- ACRYLITE® Soundstop Ready Fit Panels are delivered Ready-to-Install with installation instructions and all associated hardware. Options for fully engineered drawings and onsite technical support are available.
- Typical panel weights range from 6 to 10 lb/ft² depending on thickness of the ACRYLITE® Soundstop noise barrier panel and overall Ready Fit Panel dimensions.



Example Plan Views



Example Installations



ACRYLITE® Soundstop Ready Fit System
on Park Drive above the South Bay Freeway
(CA-54) in Spring Valley, CA



ACRYLITE® Soundstop Ready Fit System
near Target on W Redondo Beach Blvd. in
Gardena, CA



ACRYLITE® Soundstop Ready Fit System
with black powder coated aluminum frames
on Route 18 in New Brunswick, NJ

This information and all further technical advice is based on our present knowledge and experience. However, it implies no liability or other legal responsibility on our part, including with regard to existing third party intellectual property rights, especially patent rights. In particular, no warranty, whether expressed or implied, or guarantee of product properties in the legal sense is intended or implied. We reserve the right to make any changes according to technical progress or further developments. The customer is not released from the obligation to conduct careful inspection and testing of incoming goods. Performance of the product described herein should be verified by testing, which should be carried out only by qualified experts in the sole responsibility of a customer. Reference to trade names used by other companies is neither a recommendation, nor does it imply that similar products should be used.

Röhm is a worldwide manufacturer of PMMA products sold under the ACRYLITE® trademark in the Americas and under the PLEXIGLAS® trademark in the European, Asian, African, and Australian continents. ©Roehm America, LLC. All rights reserved.

Printed in the USA.

Roehm America, LLC
1796 Main Street, Sanford, ME 04037 US
Phone +1 855 202 7467
www.acrylite.co